

# PART 44-86 Tailgate—Bronco and Pickup

COMPONENT INDEX	Page	COMPONENT INDEX	Page
REMOVAL AND INSTALLATION		Latch – Tailgate .....	86-3
Bracket – Tailgate Latch .....	86-1	Latch – Tailgate-on Body .....	86-1
Handle – Latch Release .....	86-3	Tailgate .....	86-1

## REMOVAL AND INSTALLATION

### TAILGATE-ON-BODY LATCH

#### Styleside Pick-Up

1. Open the tailgate and remove two latch attaching screws and remove the latch (Fig. 1).
2. Position the latch to the body and install the two attaching screws snug.
3. Adjust the latch and tighten the screws securely.

### TAILGATE SUPPORT, HANDLE AND LATCH BRACKET

#### Styleside Pick-Up

##### Removal

1. Open the tailgate and disconnect the tailgate support arm from the latch

bracket assembly as shown in Fig. 1. Then, remove the two upper arm attaching screws.

2. Remove three tailgate handle screws, disconnect the handle release links and remove the handle assembly.
3. Remove three latch bracket-to-tailgate attaching screws and remove the latch bracket assembly.

##### Installation

1. Position the latch bracket to the tailgate, connect the link to the latch bracket and install the attaching screws.
2. Position the tailgate handle to the

tailgate. Connect the links to the center handle assembly and install the handle attaching screws.

3. Connect the tailgate support arm assembly to the latch bracket and install the two upper arm attaching screws.

### TAILGATE

Open and support the tailgate assembly and remove the hinge attaching screws on each side of the tailgate (Fig. 1). Then, carefully raise the lower portion of the tailgate upward and disengage it from the tailgate latch brackets. If a new tailgate is being installed, transfer all

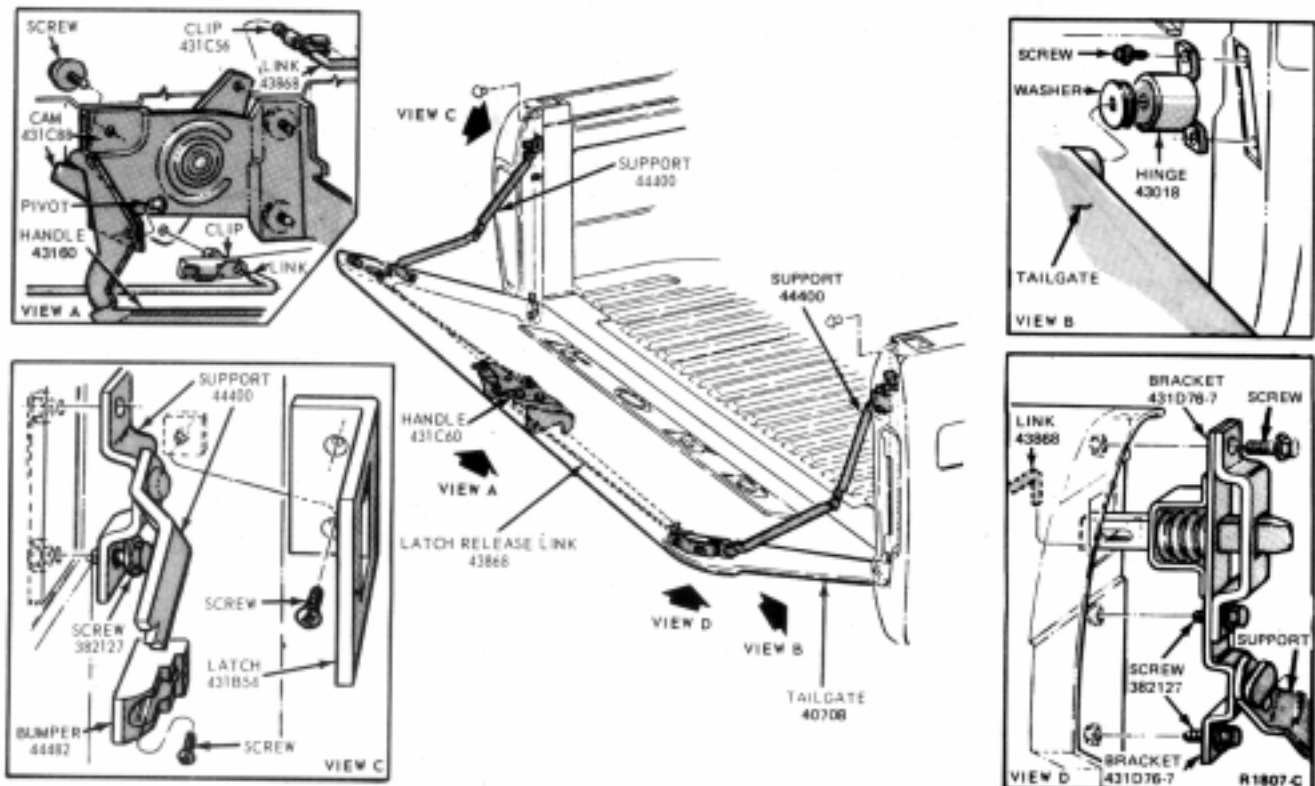
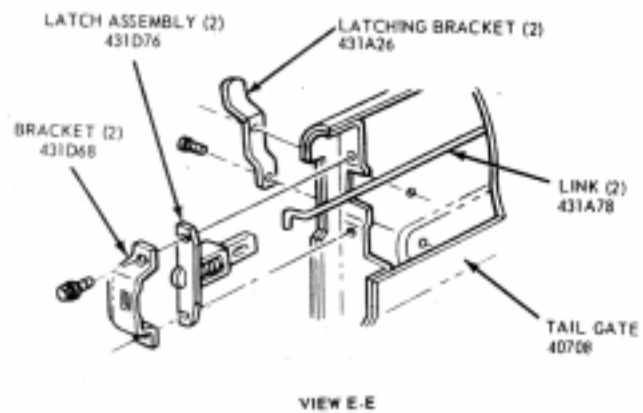
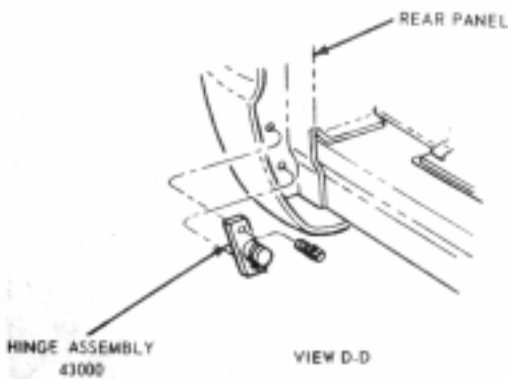
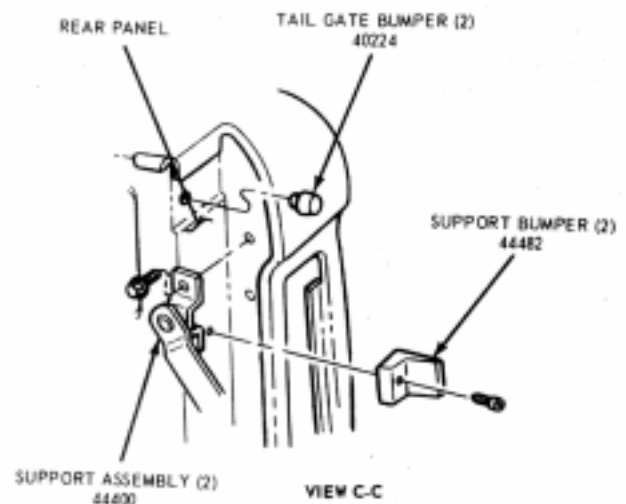
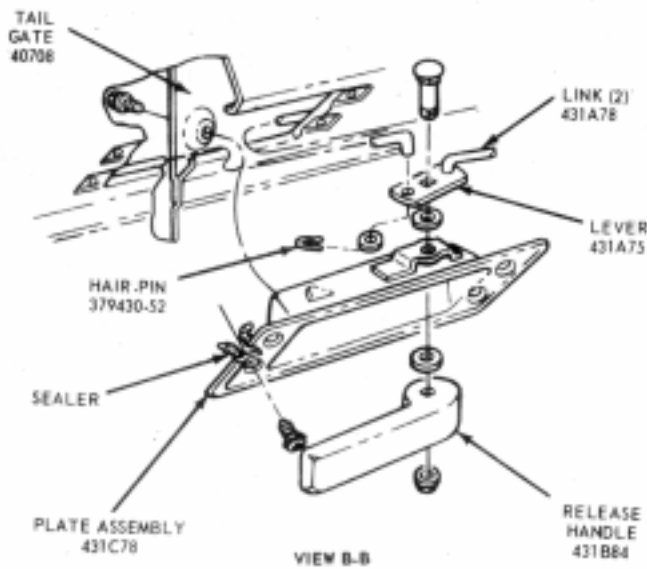
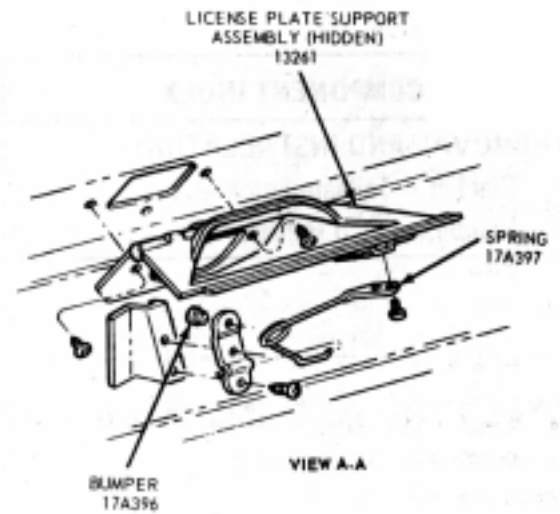
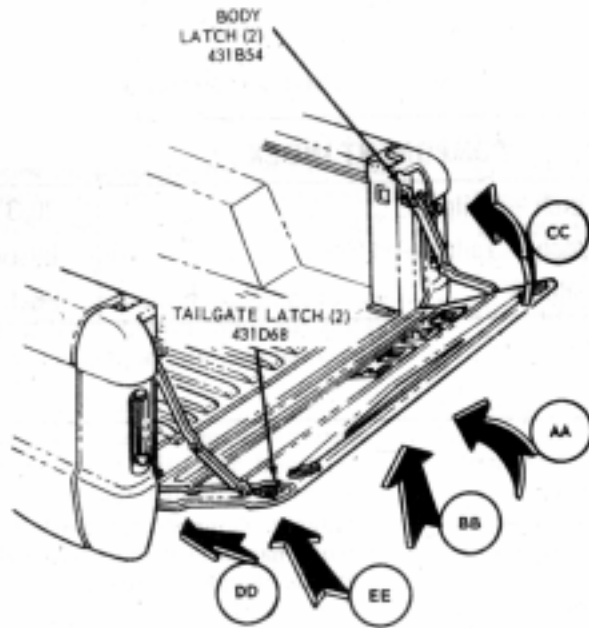


FIG. 1 Tailgate Installation—Styleside Pick-Up



N 1464-B

FIG. 2 Tailgate Installation—Bronco

mouldings, latches, hinges, brackets, links, clips and washers to the new tailgate.

### Bronco

#### Removal

1. Unlatch the tailgate handle and lower the tailgate (Fig. 2). Disconnect the left and right support assemblies at the tailgate.
2. Disconnect the license plate light wire at the connector. Pull the lead wire from the tailgate body rail.
3. Remove the four screw and washer assemblies that secure the left and right hinge assemblies (Fig. 2) to the body.
4. Remove the tailgate and the hinge assemblies.

#### Installation

1. Position the hinge assemblies on the tailgate and then position the tailgate on the body (Fig. 2).
2. Secure each hinge assembly to the body (Fig. 2) with two screw and washer assemblies.
3. Connect the support assemblies to the tailgate.
4. Position the license plate light lead in the tailgate body rail and connect the lead to its connector.

## TAILGATE LATCH RELEASE HANDLE AND MOUNTING PLATE

### Bronco

#### Removal

1. Remove the two screw and washer assemblies that secure the release handle mounting plate assembly to the inner panel of the tailgate (Fig. 2).
2. Remove the four screw and washer assemblies that secure the release handle mounting plate assembly to the outer panel of the tailgate.
3. Pull the mounting plate assembly down and away from the outer panel, and remove the two hairpin clips and plain washers that secure the latch release links to the release lever.
4. Disconnect the links from the release lever and remove the mounting plate assembly from the tailgate.
5. Remove the nut assembly and washers that secure the release handle to the release lever bolt. Remove the release handle.

#### Installation

1. Position the release handle in the mounting plate assembly and attach it to the release lever with the latch release lever bolt, nut assembly, and washers.

2. Hold the mounting plate assembly close to the outer panel opening of the tailgate and position the release links on the release lever. Secure each release link with a plain washer and hairpin clip.
3. Slip the mounting plate assembly into the tailgate panel opening and secure it to the outer panel with four screw and washer assemblies.
4. Secure the mounting plate assembly to the inner panel with two screw and washer assemblies.

## TAILGATE LATCH ASSEMBLY

### Bronco

#### Removal

1. Remove the tailgate handle assembly as described above.
2. Remove the two screw and washer assemblies that secure the latch assembly to the tailgate.
3. Remove the latch and link assembly from the tailgate.

#### Installation

1. Position the latch assembly on the link. Feed the latch and link assembly into the end of the tailgate and secure the latch assembly and bracket with two screw and washer assemblies. **The tapered side of the latch bolt must face forward.**
2. Install the tailgate handle as described above.